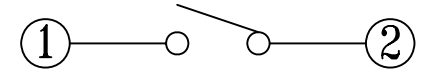
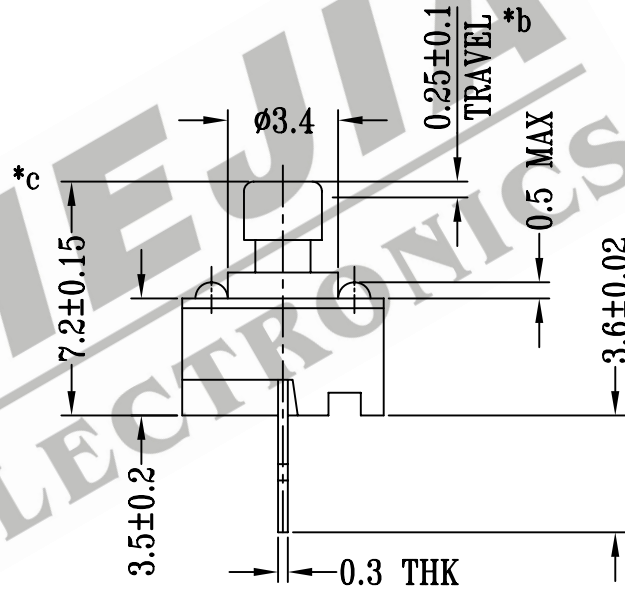
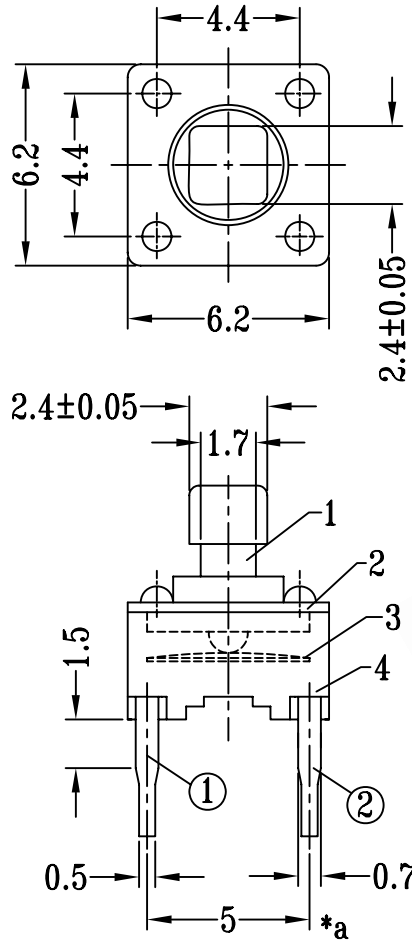
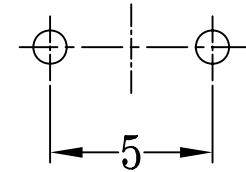




CAD FILE:



SCHEMATIC



P.C.B LAYOUT

OPERATING FORCE	CODE
100gf	T
130gf	V
160gf	X
170gf	W
190gf	Y
250gf	Z

注:带"*"表示关键尺寸(3个)

NO.	PART NAME	MATERIAL	QTY	FINISHING	TOLERANCE UNLESS SPECIFIED	SHENZHEN XIEJIA ELECTRONICS CO.,LTD.				
8					WITHIN: 1.5±0.1mm OVER: 1.5±0.2mm	ISSUE	DATE	DESCRIPTIONS		APPD
7										
6										
5										
4	CASE	NYLON/0.3mm BRASS STRIP	1	BLACK/Ag PLATED	TITLE: TACT SWITCH		UNIT: MM	DRWG NO.: XJ-DR-TC0424-00		
3	CONTACT	SEE CONTACT CHART	1	Ag CLAD	MODEL: TC-0424		SCALE: 4:1	DWN	ZHOUYU	2003-9-30
2	COVER	PET/0.3mm ZINC PLATE	1	SEE COVER CHART	ALL MATERIALS MUST BE COMPLIANT TO ROHS		APPD	CHK'D	FANGYING	2003-9-30
1	KNOB	NYLON/POM	1	SEE KNOB CHART				KANGXINAN	2003-9-30	